



Leonardo

Travel Trailer Lock



WESCO[®]
Fastec Industrial

A Division of WESCO Distribution, Inc.

Leonardo Travel Trailer Entry lock

- Engineered in Italy by FAP.
- European design.
- Superior locking safety features—automotive style “idle” exterior handle function.
- Larger finger opening—True four finger opening.
- Waterproof design.
- QuickCore™ Changeable cylinder.
- 18 month warranty.



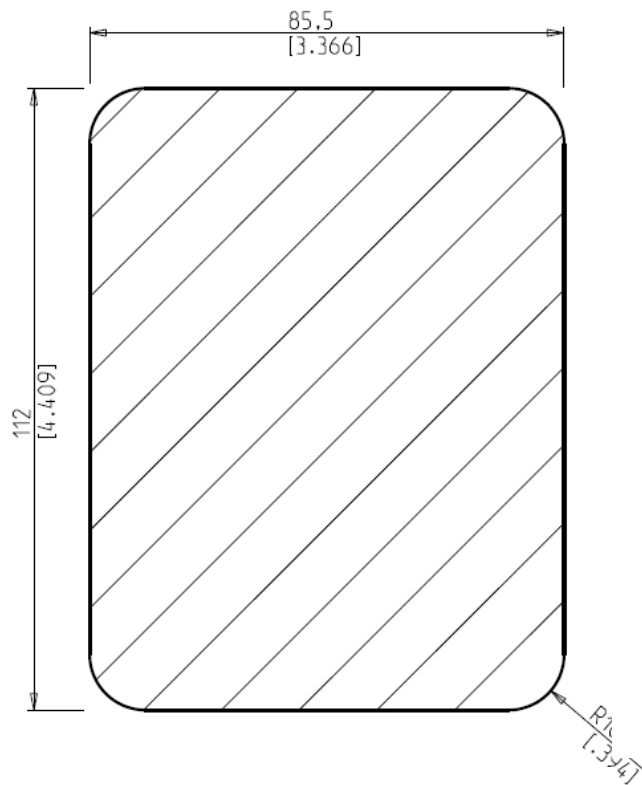
Technical:

- Tested to 34,000 cycles with no change in functionality.
- 50 key codes.
- Salt spray, acetic and copper acetic acid tests per ISO9227.
- Quality Control testing per AQL II.
- Waterproof testing for 15mins at 3bar/1 gal per minute.
- Cutout 4.45”x3.4”.
- Door thickness 1.25” - 1.5”.
- UV Stabilized material.

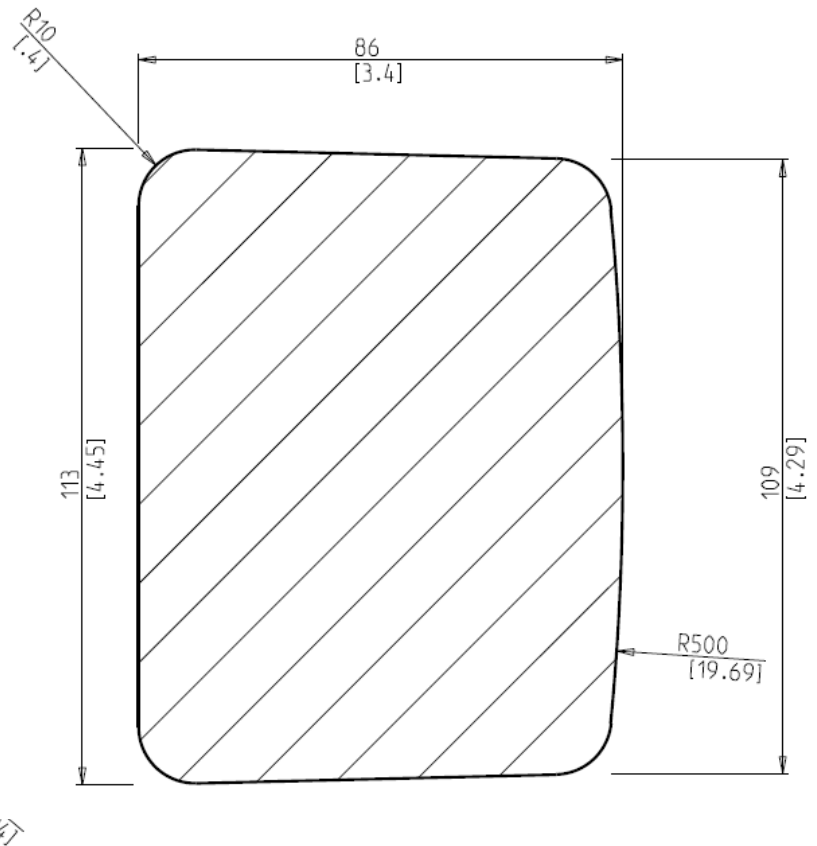
Door Prep & Lock Care Instructions:

- Door cut-out recommendations.

Rectangular cut-out:



Trapezoid cut-out:



- Clean the lock using soap and water.
- **DO NOT** use the following chemicals to clean the lock:
 - Mineral acid
 - Formic acid
 - Phenol
 - Chloroform
 - Glycol
 - Ethyl alcohol
 - Acetone
 - Dichloromethane